



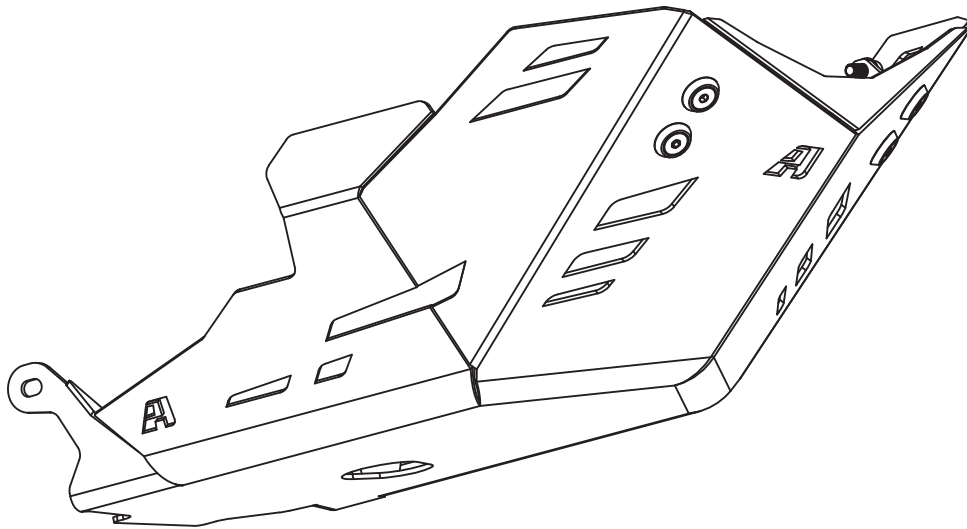
# AltRider Skid Plate for Honda NC700X INSTALLATION INSTRUCTIONS

The most up to date instructions can be downloaded from the product page at [altrider.com](http://altrider.com), under the instructions tab.

Dear Rider,  
Thank you for choosing AltRider! Whether a seasoned world adventurer or a first time ADV-Newbie, we welcome you to the AltRider experience. You can install your new product with the utmost confidence. AltRider designs, tests, and manufactures all of its products here in the United States. We are proud to do what we do, and honored to present to you the product of our labors.

Enjoy it, show it off, and most of all, RIDE IT!

Venture On,  
Jeremy LeBreton



**A**  
**ALTRIDER**  
venture on  
**Honda NC700X**  
**Skid Plate**  
**N712-X-1200**

Package Contents:  
- Skid plate  
- Mounting brackets  
- Hardware kit

---

## AltRider LLC

### Global

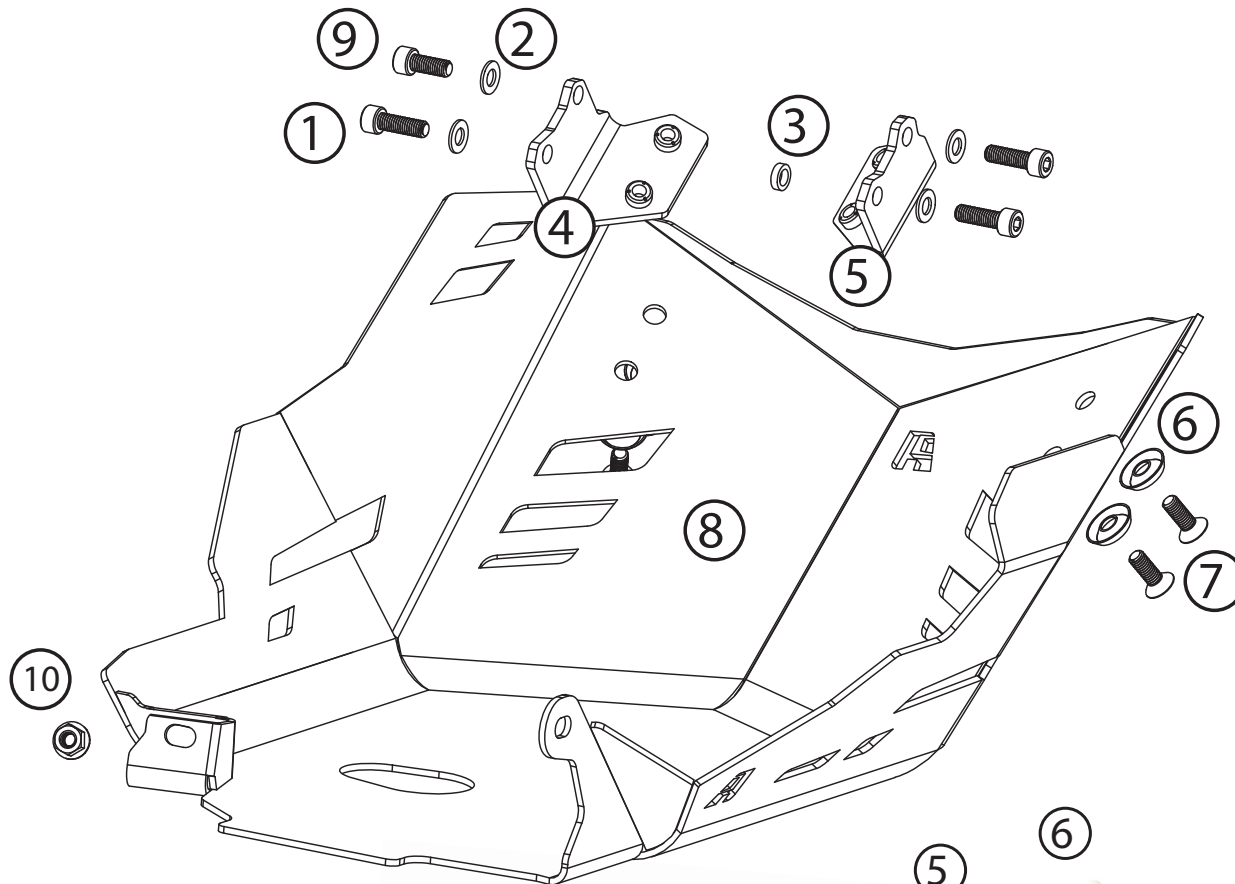
mailing: 4000 Aurora Ave N Ste 100  
Seattle, WA 98103 USA  
phone: 206-922-3618  
email: [info@altrider.com](mailto:info@altrider.com)  
web: [www.altrider.com](http://www.altrider.com)

### Europe

email: [info@Altrider.eu](mailto:info@Altrider.eu)  
address: AltRider EU  
Heliumstraat 230  
2718 RS Zoetermeer  
The Netherlands

Rev 1.2  
MADE IN THE USA



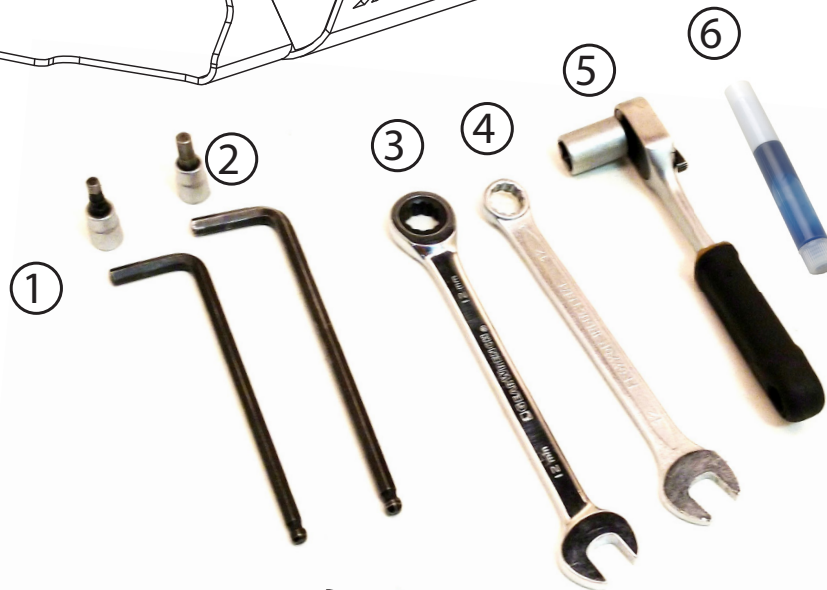


## Kit:

- ① (3) M8 x 25 socket head cap screws
- ② (4) M8 washers
- ③ 3.5mm tall aluminum spacer
- ④ Left Bracket
- ⑤ Right Bracket
- ⑥ (4) Finish washers
- ⑦ (4) M8 x 22 flat head fasteners
- ⑧ Skid Plate
- ⑨ (1) M8 x 20 socket head cap screw
- ⑩ M8 flange nut

## Recommended tools:

- ① 5mm allen tool
- ② 6mm allen tool
- ③ 13mm combination wrench
- ④ 12mm combination wrench
- ⑤ 12mm socket
- ⑥ Thread locker





- ① Remove plastic belly fairing (right and left side are connected). Use 5mm allen tool. Fairing has one screw on each side, and is also mounted via four rubber grommets. One grommet each side requires an outward pull on the fairing. Two forward grommets pull the fairing toward the front wheel.



- ② Use 12mm wrench, remove two M8 bolts from from right side brackets on frame mount as shown. Leave brackets in place. Save the bolts for use later.



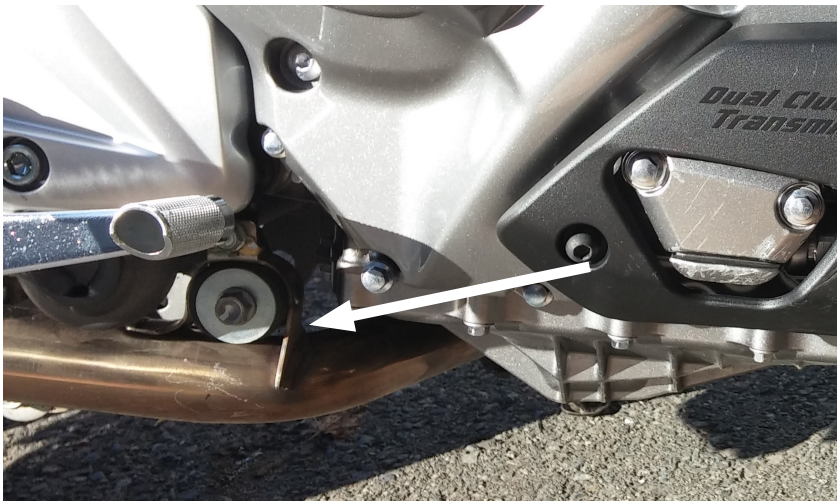
- ③ **Manual Transmission:** Remove two M8 bolts from left side front bracket on frame mount as shown.

**DCT:** Remove front bolt as shown.

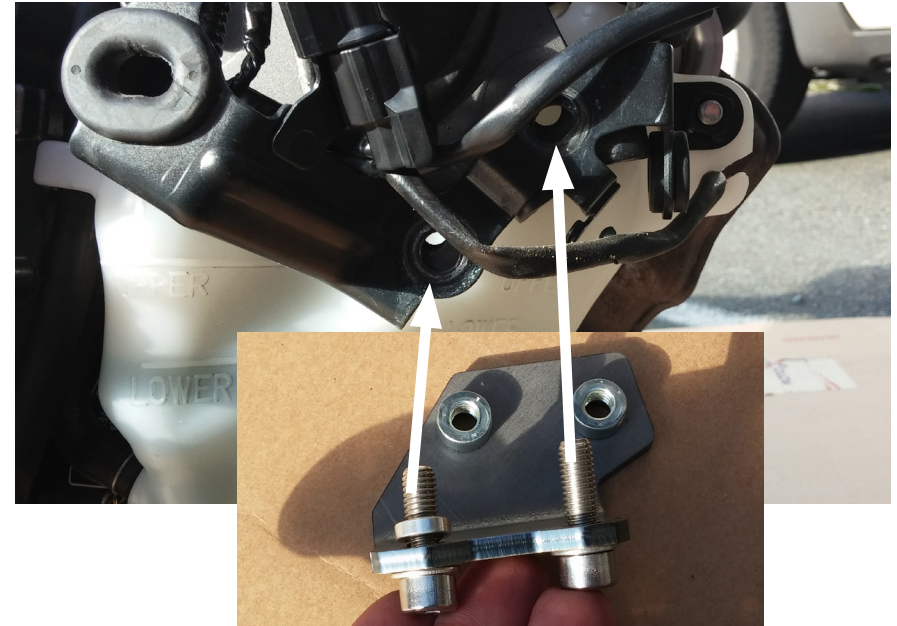


- ④ **Manul Transmission:** Remove plastic clip that holds drain tube near side stand.

**DCT:** Remove two rear bolts of the bar (near side stand mount) as shown. Use 12mm socket and 12mm open end wrench.



- ⑤ Remove exhaust hanger bolt (under rear brake lever) as shown. Save for reinstall later.



- ⑥ Install right front bracket as shown. Stack spacer in between AltRider bracket and Honda bracket. Attach with M8x 25 screws, torque to 19 Nm. Do not pinch wires.



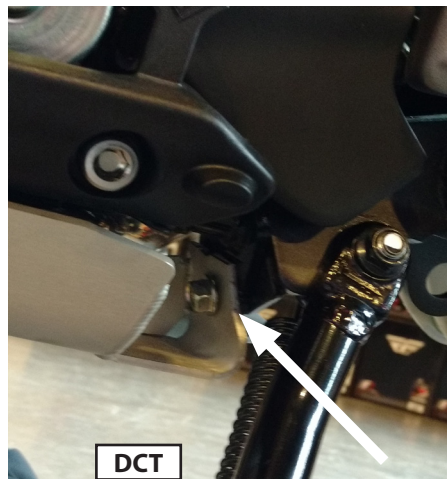
- ⑦ **Manual Transmission:** Install left front bracket as shown. Note orientation of bracket. Attach with M8 screws (one M8 x 25, one M8 x 20), tighten to 19 Nm.



- ⑧ **DCT:** Install left front bracket as shown. AltRider Bracket sits against frame, with DCT guard bar stacked on top. Apply loctite to these bolts. From backside, insert M8 x 20 bolt (A) and tighten to 10Nm. This acts as a support pin to the AltRider bracket. Use M8 x 25 bolt from outside (B), through both DCT bar and altrider bracket. Do not fully tighten this bolt yet.



Manual

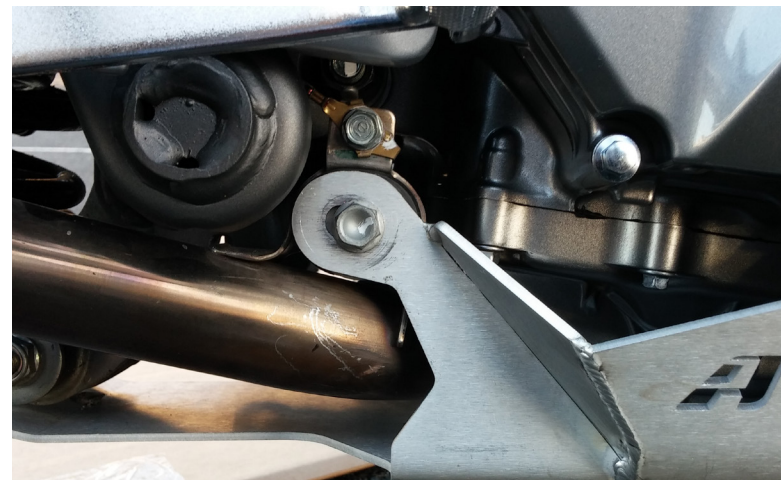


DCT

⑨

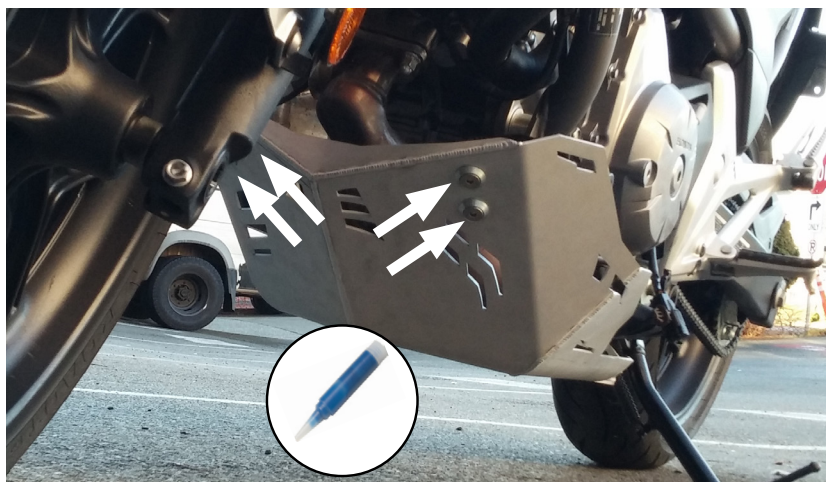
**Manual:** Use OEM Honda M8 x 18mm long bolt from step 2, plus the M8 flange nut. Attach the skid plate to the frame mount as shown, thread nut on then leave loose for now. 12mm and 13mm combination wrenches required.

**DCT:** Use OEM Honda M8 x 24 bolt from step 2, plus the M8 flange nut. Attach the skid plate to the frame mount as shown. Stack the AltRider skid plate on top of the DCT guard bar flange. Use 12mm and 13mm combination wrenches, tighten most of the way but do not fully torque yet. Now go back and tighten the M8 cap head bolt from step 8 to 19 Nm.



⑩

Attach the left rear mount of the skid using the exhaust hanger bolt. (12mm socket). Leave loose for now.



⑪

Attach four (4) front M8 flat head screws with finishing washers to front of skid plate. Screw most of the way snug. Use a drop of thread locker on each screw.



⑫

Tighten exhaust hanger bolt to 19Nm. Tighten bolt and nut at left rear mount near kickstand to 19Nm. Tighten front flathead screws to 15Nm

## CONGRATULATIONS!

**You've completed your installation. If at any point you have questions about your installation or have any feed back for us, we'd love to hear it. A downloadable version of these instructions can be found at our web site. [www.AltRider.com](http://www.AltRider.com)**

**After 5 hours of riding, or 100 miles, check all the fasteners on the assembly to ensure they are tightened to spec.**

### Global Office:

**email: info@AltRider.com**  
**phone: +1 206-922-3618**  
**address: 4000 Aurora Ave N**  
**Ste 100**  
**Seattle, WA 98103**

### Europe Office:

**email: info@AltRider.eu**  
**address: AltRider EU**  
**Heliumstraat 230**  
**2718 RS Zoetermeer**  
**The Netherlands**

#### TERMS OF USE, WARRANTY AND LIABILITY WAIVER

AltRider LLC, a Washington company, having its principal place of business in Seattle, WA ("AltRider") offers its motorcycle accessories (the "Product") with the terms, conditions and notices as follows:

##### Terms of Use

This Product is offered to you conditioned upon your acceptance without modification of the terms, conditions, and notices contained herein. Installation and/or use of this product implies acceptance of all such terms, conditions, and notices. If you do not agree to these terms, do not buy the Product. If you have already bought the Product and do not agree to these terms, return this Product promptly including the packaging and all written materials, to AltRider.

##### Limitation of Liability and Warranty Disclaimer

You may return your merchandise for a full refund or exchange, less any original or return shipping fees under these conditions:

1. Only if the merchandise is in 100% factory condition. Original manufacturer's packaging and same condition as sold – original boxes, packaging material, instructions, documentation, parts, and attached tags.
2. Only unused, unscratched, uninstalled, undamaged merchandise will be accepted. Do not install equipment until you are sure you want to keep it. Package items carefully in protective materials before returning them. Never ship an item in its original manufacturers packaging – it will arrive damaged. Please use a postal box or other adequate packaging to ensure your return or exchange is not damaged on the way back to AltRider.com.

To read more about our exchanges and returns policy, on the web, navigate to <http://www.alt rider.com/info/exchangesAndReturns>

Excepting the warranties stated in the preceding paragraph, AltRider hereby disclaims all other warranties and conditions with regard to the Product including all implied warranties and conditions of merchantability and fitness for a particular purpose. There are no warranties which extend beyond the description on the face hereof. AltRider does not warrant against damages or defects arising out of use or installation of the Product. Installation instructions are provided for your convenience. AltRider is not responsible for any damages arising out of the installation, improper or otherwise, of the Product. No warranty of any kind, expressed or implied, is made regarding the safety of this Product.

To the extent allowed by law, AltRider shall not be held liable for any direct, indirect, punitive, incidental, special or consequential damages arising out of, or connected with, the use or misuse of this Product. Buyer assumes all risks and liability arising from use of this Product.

##### Entire Agreement

This document states the entire obligation of AltRider with respect to the Product. If any part of this agreement is determined to be void, invalid, unenforceable or illegal, including, but not limited to the warranty disclaimers and liability limitations set forth above, then the remainder of the agreement shall remain in full force and effect.

##### Applicable Law

This agreement is governed by the laws of Washington, USA. You hereby consent to the exclusive jurisdiction and venue of the courts of Washington, USA, in all disputes arising out of or relating to the use of this product.

